



American Standard[®]

3051 WALK-IN BATH

PRODUCT FEATURES

MODEL 3051.110

- Acrylic walk-in bath
- Size: 30 ½" wide x 50 ½" long x 37 ½" deep
- Operating capacity: 60 gallons
- Color: white or linen
- Left hand or right hand door and drain

FEATURES

- Free standing metal support frame
- Deep soaking dimensions
- Large walk-in tub door
- Built-in chair-height seat
- Color matched drain assembly and grab bar
- Textured tub floor
- Pump and fixture access panels

MASSAGE SYSTEM OPTIONS

WHIRLPOOL

- Multi-jet advanced back system
- Variable speed electronic controls
- Legs only whirlpool massage
- Automatic tub cleaning system – Ozone

AIR SPA

- Variable speed electronic controls
- Multiple seat and floor color matched air injectors
- Quiet variable speed heated blower
- Automatic water purge cycle

COMBO MASSAGE

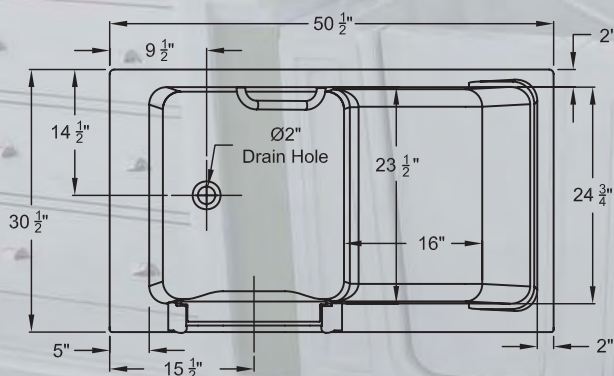
- Multi-jet advanced back system
- Variable speed electronic controls
- Legs only whirlpool massage
- Automatic tub cleaning system – Ozone
- Variable speed electronic controls
- Multiple floor and seat color matched air injectors
- Quiet variable speed heated blower

OPTIONS

- Quick Drain™
- Tub extender
- Whirlpool heater
- Chromatherapy
- Neck rest



TOP VIEW



SIDE VIEW

